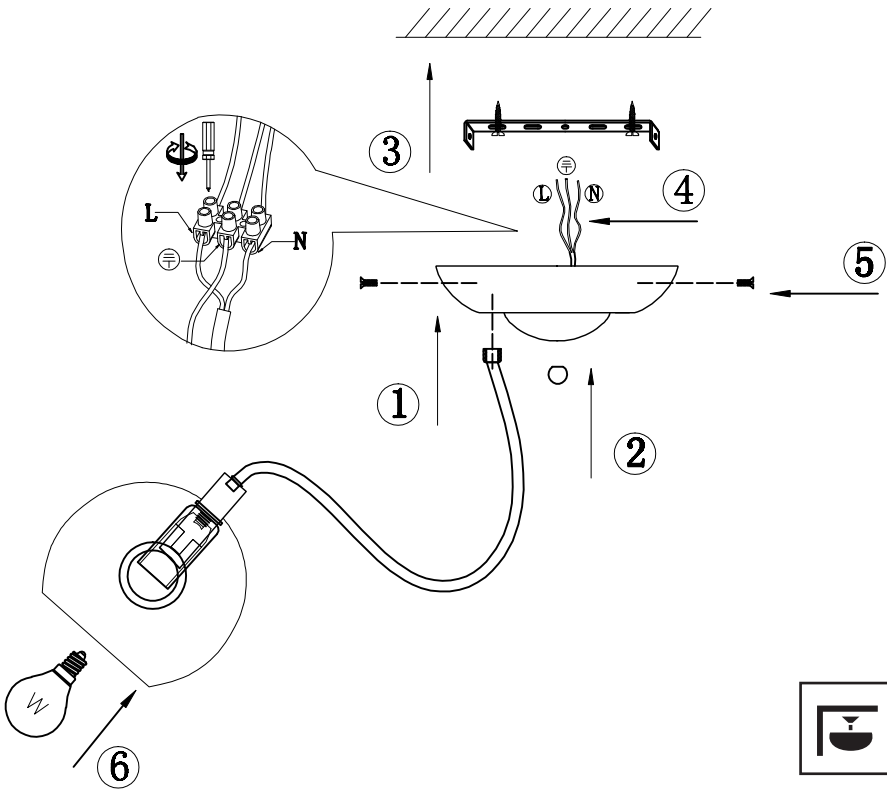

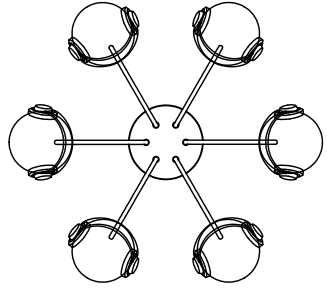
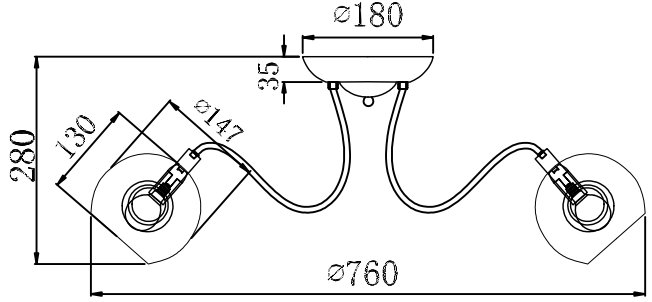



# Instruction

Collection: Modern  
Series: Joel  
Model: MOD833-06-N  
Suspended



 - Suspended



  
6 x E14 (60w)

**MAYTONI**  
DECORATIVE LIGHTING  
[www.maytoni.de](http://www.maytoni.de)