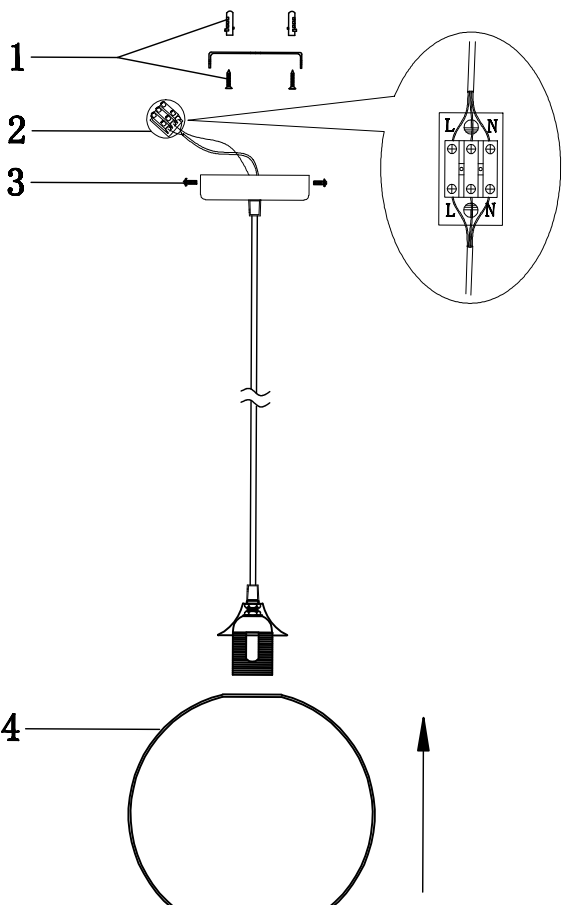


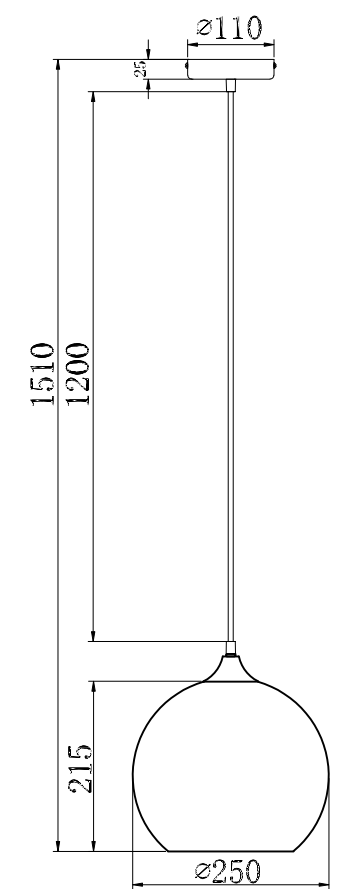
Instruction



The diagram shows the assembly steps for the ceiling light fixture. It includes a wiring diagram with terminals labeled L and N, a perspective view of the fixture with numbered callouts (1-6), and a detailed view of the light bulb being inserted into the socket. An arrow indicates the direction of assembly.


1
2
3
4
5
6

Collection: Loft
Series: Bergen
Model: T314-11-B
Ceiling




The dimensions diagram shows the overall height of the fixture as 1510 mm and the height of the stem as 1200 mm. The diameter of the stem is 110 mm. The light globe has a diameter of 250 mm and a height of 215 mm. A 5 mm gap is indicated between the stem and the globe.

1510
1200
5
215
250
110



– Ceiling



1 x E27 (60w)

MAYTONI
DECORATIVE LIGHTING
www.maytoni.de