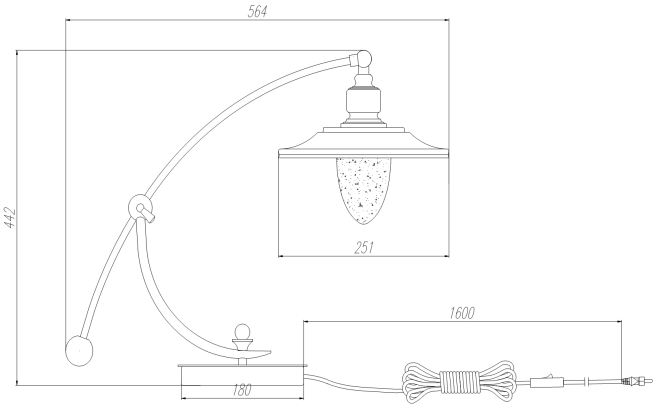
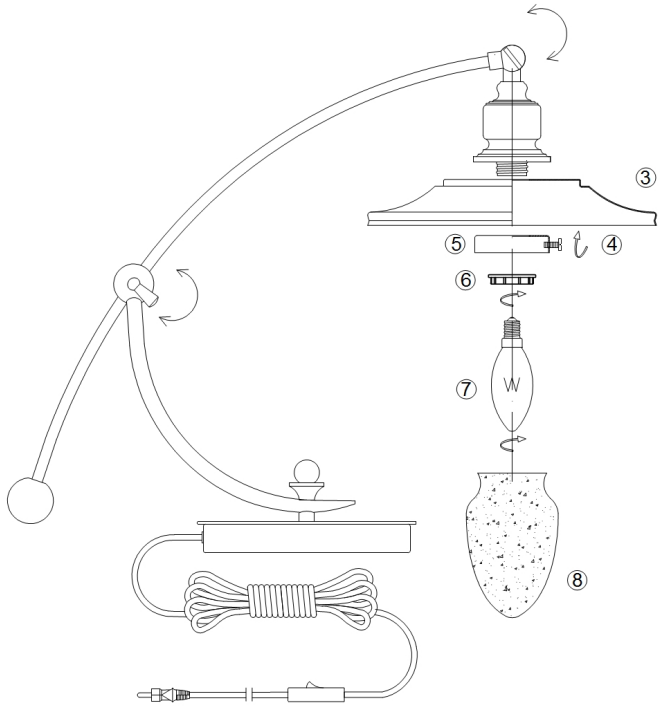


Instruction

Collection: HOUSE
Series: SENNA
Model: H353-TL-01-BZ
Mobile



- Mobile



1 x E14 (60W)

MAYTONI
DECORATIVE LIGHTING

www.maytoni.de