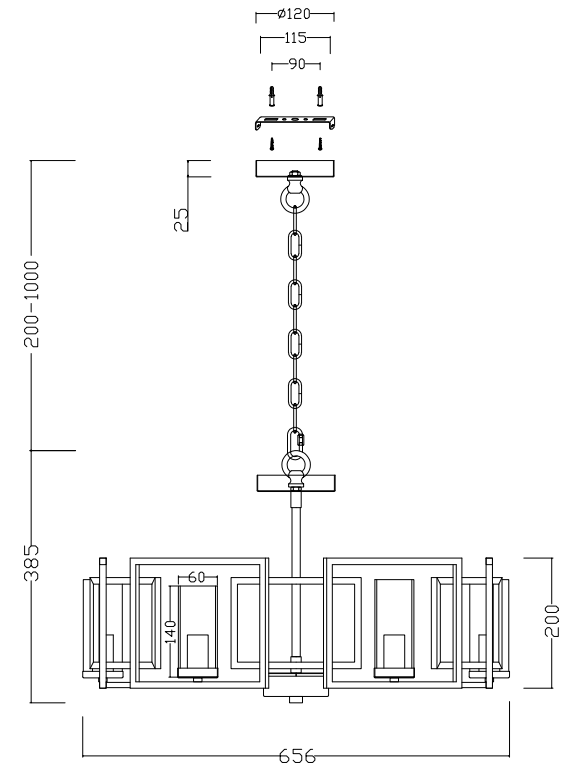
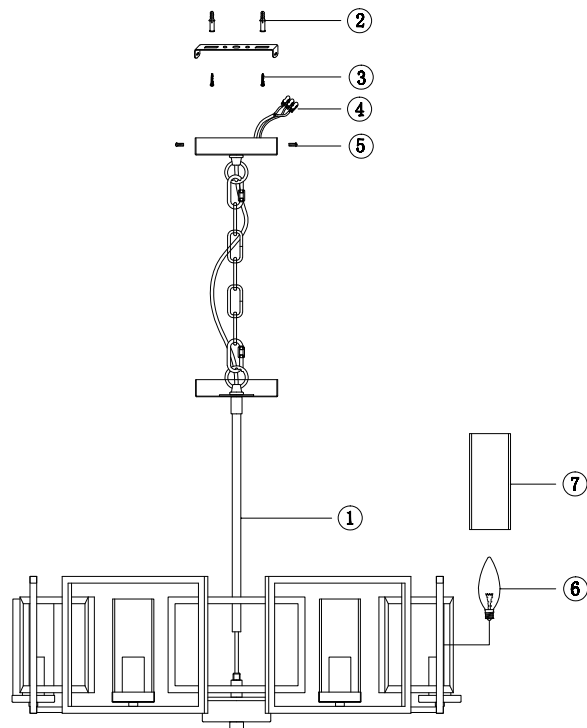


# Instruction

## H009PL-06G



Gross Weight: 5,5 kg

Net Weight: 4,6 kg

Volume: 0,13068 m<sup>3</sup>

Weight and Volume Margin of Error: ±10%

Color: Gold

Material: Metal



6 x E14 (40W)

Model: H009PL-06G

Collection: House

Series: Bowi



Pendant Lamps